



Tier1 Upflow Carbon Filter

Point of Entry System



INSTRUCTION MANUAL

Please read this manual in detail before using the system and keep it in a safe location for future reference.

Contents

Important Notices	3
System Specifications.....	3
Operating Parameters.....	3
Installation Instructions	4
Prior to Installation:	4
Included Parts:	4
Additional Accessories:	4
Example Installation Diagram: (Front View)	5
Example Installation Diagram: (Top View).....	5
Attaching the In/Out Head.....	6
Attaching the Elbow Adapters	6
Inserting the Locking Clips	7
Support.....	7
Warranty	8
US Water Filters Limited Product Warranty:	8
General Provisions:	8

Important Notices

- Read this manual thoroughly to become familiar with the system and its capabilities before installation or operation. Failure to follow instructions in this manual could result in personal injury or property damage.
 - This system and its installation must comply with state and local regulations. Check with your local public works department for plumbing and sanitation codes. In the event the codes conflict with any content in this manual the local codes must be followed instead.
 - Consult a licensed professional for any plumbing work required prior to the installation of this system.
 - This system is designed to operate on pressures of 20 psi to 120 psi.
 - This unit is capable of operating at temperatures between 40°F and 120°F (5°C - 50°C). Do not use this system on hot water supply lines.
 - Do not install this unit where it may be exposed to direct sunlight, or temperatures outside of the range specified above.
 - Avoid damaging, pinching, or leaking O-rings by applying food grade silicone lubricant to all seals during installation.
 - Do not use water that is microbiologically unsafe without adequate disinfection before or after this system.
 - If installed with a metal plumbing system a grounding jumper wire is needed to bridge over the plastic components of the system to ensure appliances downstream are properly grounded.
 - This publication is based on information available when approved for printing. Continuing design refinement could cause changes that may not be included in this publication.
- US Water filters Inc. reserves the right to change the specifications referred to in this literature at any time, without prior notice.

System Specifications

Model	Media Volume	Media Type	Chlorine Capacity	Chloramine Capacity	Service Flow ¹	Peak Flow ²
1035-GAC	1 cu.ft.	Acid Washed GAC	600,000	NA	3-5 gpm	8 gpm
1054-GAC	1.5 cu.ft.	Acid Washed GAC	900,000	NA	5-8 gpm	12 gpm
1035-GACC	1 cu.ft.	Catalytic Carbon	600,000	300,000	3-5 gpm	8 gpm
1054-GACC	1.5 cu.ft.	Catalytic Carbon	900,000	450,000	5-8 gpm	12 gpm

Operating Parameters

Working Pressure	Operating Temp	pH Range	Fitting Size
20-120 psi	40-120°F	6-11	1" NPT

¹Service flow rates will provide optimal filtration performance.
²Peak flow rate is only for intermittent and temporary flow conditions.

Installation Instructions

Prior to Installation:

- Review the included parts list and make sure you have all of the included parts before installation.
- If you are installing in a location that has an electric water heater, shut off the power to the water heater and unplug it before beginning installation.
- Identify where you are going to install the carbon filter.
 - The filter should be installed on the main water supply before the water heater but after plumbing that supplies outdoor faucets. (if possible)
 - The filter should be installed on a flat, level surface.
 - If the filter is being installed outdoors it must be protected from the sun, and kept within the environment parameters of the system.
- Turn off the main water supply valve completely.
- Test that the water is completely shut off by opening the closest cold water faucet.
(Note: DO NOT continue with the installation if the water supply cannot be turned off.)

Included Parts:

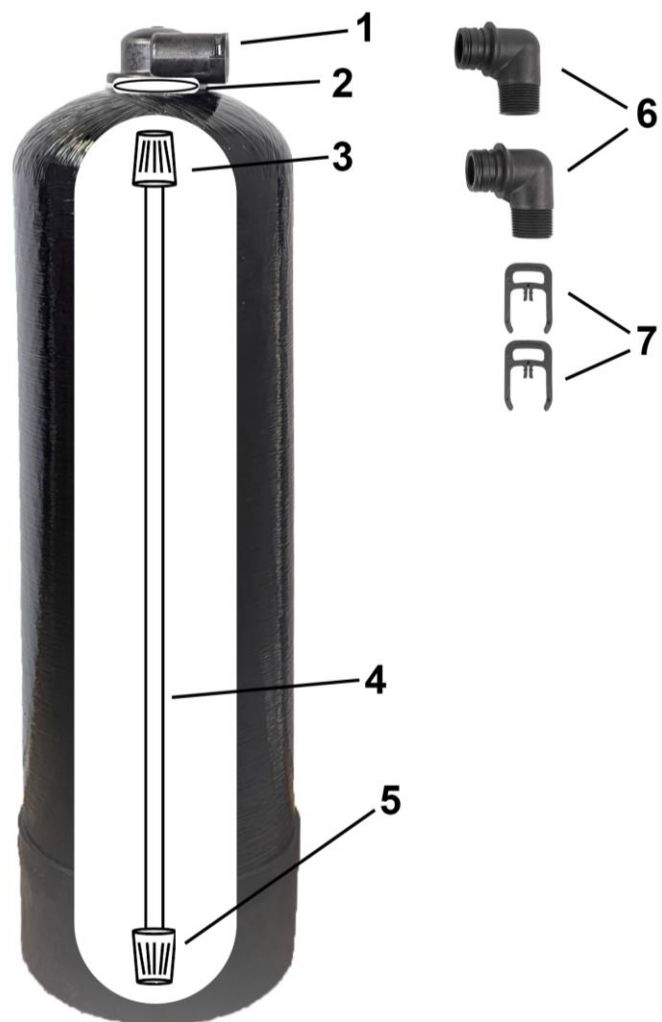
This is a list of all the components included with the system. Components 1-5 are pre-assembled, 6 and 7 are included in the manual bag.

- 1) Upflow In/Out head
- 2) In/Out head O-ring
- 3) Upper distributor basket
- 4) Riser tube
- 5) Lower distributor basket
- 6) 1" Elbow adapters x2
- 7) Locking clips x2

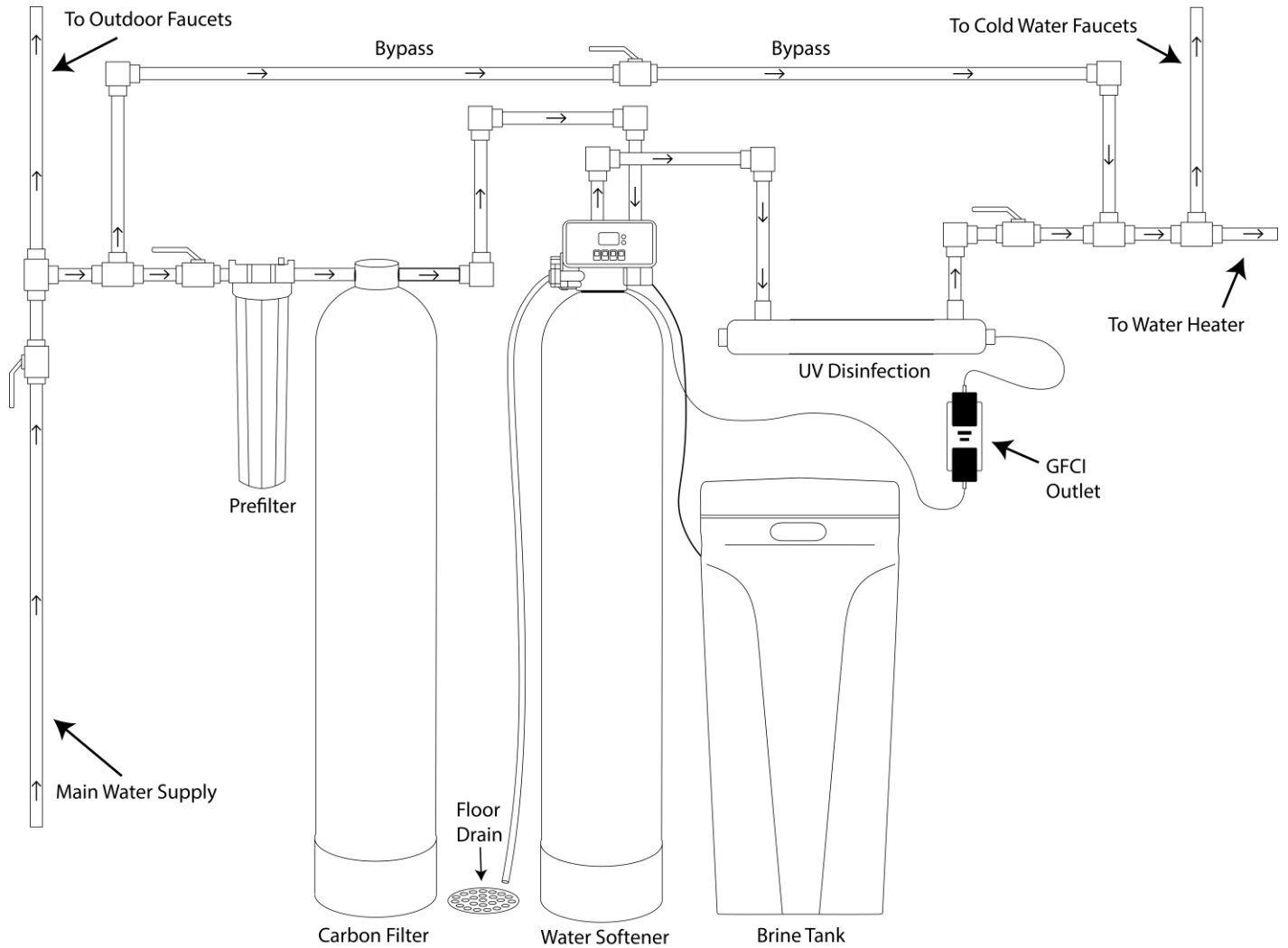
Additional Accessories:

These tools and accessories are not included with the system but may be necessary for installation.

- Pipe / Tubing cutter
- Pipe fittings / Flex connectors
- Teflon tape / Thread sealant

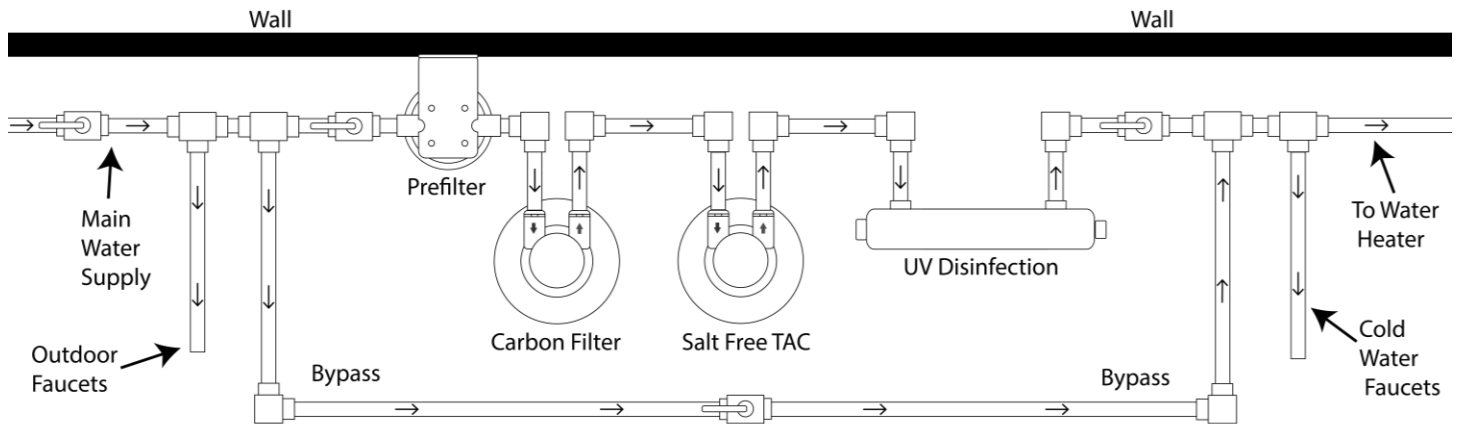


Example Installation Diagram: (Front View)



The softener and UV disinfection units are shown as examples when installing with other filtration systems.

Example Installation Diagram: (Top View)



The salt free and UV disinfection units are shown as examples when installing with other filtration systems.

Attaching the In/Out Head

1. Ensure that the In/Out head O-ring, and upper distributor basket are properly seated onto the tank head.



1



2

2. Slide the Upper Distributor Basket over the riser tube and down to the threads. Screw the head on clockwise until it is hand tight. (Do not use a wrench or other tools to screw on the In/Out head or you may not be able to remove it when it is time to replace the media.)

Attaching the Elbow Adapters

3. Take the two 1" elbow adapters and connect them to the In/Out head.

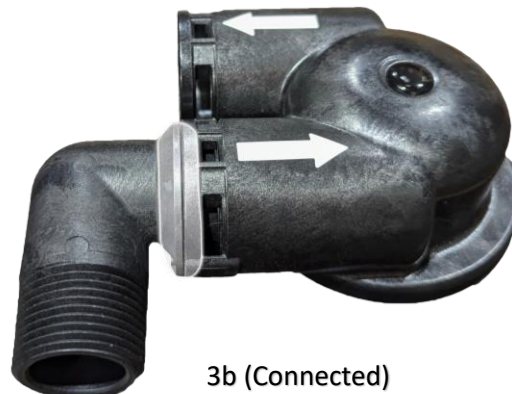


3

*Note: It is important to push the adapters completely onto the In/Out head in order to install the locking clips. **DO NOT force the locking clips.** If the adapters are not fully connected (1a), the locking clips will break when trying to insert them. Ensure the adapters are connected properly, (1b), before installing the locking clips.*



3a (Not Connected)



3b (Connected)

Inserting the Locking Clips

4. Insert the two locking clips vertically by pushing them into the holes on the In/Out head securing the elbows.



2

5. Connect your carbon filter to your main water supply. The plumbing connections necessary to connect to your system will depend on the size, material, and location of the plumbing in your home.

Note: Make sure the carbon filter is connected so that the water flows in the same direction as the arrows on the In/Out head.



3

Support

For FAQs, Instructional Videos, Registering your System Warranty, and Ordering Replacement Media or other Replacement Parts, Scan the QR code located here, or visit:

www.discountfilterstore.com/upflow-carbon-resources

If you need additional assistance contact our Technical Support Team located in Zumbrota, MN

Email: support@tier1water.com

Phone: 1-855-378-9116

Hours: Monday – Friday, 8:00am-5:00pm (CST)



Warranty

Register your system warranty at www.discountfilterstore.com/warranty-registration or scan the QR code on page 7.

US Water Filters Limited Product Warranty:

US Water Filters warrants to the end user that its Tier1 Upflow Series of Filtration Systems will be free from defects in material and workmanship under normal use and service, and agrees to replace, at its discretion, any defective product within the warranty time periods from the date of purchase as specified below. The only exception shall be when proof of purchase or installation is provided and then the warranty period shall be from the date thereof. Labor necessary to maintain the product is not covered by the product warranty.

One (1) Year Limited Warranty

- US Water Filters will replace any of the O-rings, fittings, or components found in reasonable judgment to be defective in material or workmanship under normal use and service for (1) year after the date of purchase.

Ten (10) Year limited Warranty

- US Water Filters will provide a replacement fiberglass media tank or the inlet/outlet head that fails under normal use and service provided that the softener is at all times operated in accordance with the operating conditions specified in the manual.

General Provisions:

No warranty is made, and is explicitly excluded, with respect to defects or damages due to neglect, misuse, alterations, accident, physical damage, misapplication, improper maintenance, installation outside operating specifications, or damage caused by acts of God, earthquakes, hurricanes, tornados, fire, floods, freezing, or other environmental damages.

These warranties do not cover normal wear and tear components like replacement filter cartridges, O-rings, seals, or filter media. Carbon & TAC media are considered wear and tear components. TAC media can degrade quickly when exposed to iron, manganese, chlorine, or chloramines above the system water quality operating parameters. Pre-treatment is required for these contaminants if they are present to prevent premature fouling of the TAC media.

THE WARRANTIES US WATER FILTERS GIVES IN THE ABOVE PARAGRAPHS ARE EXCLUSIVE, US WATER FILTERS DISCLAIMS ALL OTHER WARRANTIES, EXPRESS, IMPLIED OR STATUTORY AND SPECIFICALLY DISCLAIMS ANY IMPLIED WARRANTIES OF MERCHANTABILITY, FITNESS FOR A PARTICULAR PURPOSE OR IMPLIED WARRANTY OF WORKMANLIKE PERFORMANCE.

These warranties are governed by the laws of the state of Minnesota and may change at any time without notice. Some states do not allow limitations on how long an implied warranty lasts or exclusions or limitations of incidental or consequential damage, so the limitations and exclusions in this warranty may not apply to you. This warranty gives you specific legal rights, and you may have other rights which vary from state to state.